

LESW

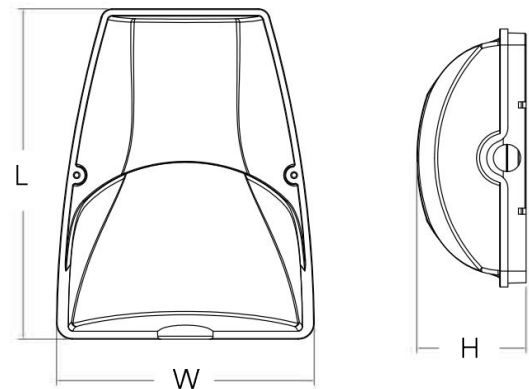


TECHNICAL SPECIFICATIONS:

- :: ADC12 Aluminum heat sink, outdoor powder coated
- :: Optical Lens: High transmittance PC, Anti-UV & Fire resistant
- :: Includes pre-wired photo electric control
- :: 120V AC, 60Hz
- :: Non-cutoff optics ideal for maximum light distribution
- :: CRI: >80
- :: Power Factor: 95%
- :: Operating Temp: -40°F to 104°F
- :: 70,000 hour rated life
- :: 7-year warranty
- :: Suitable for Wet Locations, IP54

APPLICATIONS:

- :: Ideal for general site lighting, loading docks, doorway, pathway and parking areas.



LED SMALL NON-CUTOFF WALL PACKS WITH PHOTOCELL

CATALOG NO.	WATTS	LUMENS	COLOR TEMP	DIMENSIONS
LESW-12W-50K-P	12W	1300LM	5000K	8.5"(L) x 6.7"(W) x 2.8"(H)
LESW-12W-30K-P	12W	1225LM	3000K	